

VANCOUVER 39 (VA-10151)



Product description

160x160 mm - 1000 mm - No decorative pattern



Luminaire structure

- Die-cast aluminium housing and frame
- Extruded aluminium column
- Pre-treated before powder coating ensuring high corrosion resistance
- Single cable entry
- One IP68 connector supplied with 0.2 m of 3x1.0 sqmm outdoor cable
- Stainless steel fasteners in grade 304 with zinc flake coating (ZFC)
- Durable silicone rubber gasket
- High-efficiency optical reflector
- Clear toughened glass
- Integral control gear

Light symbol

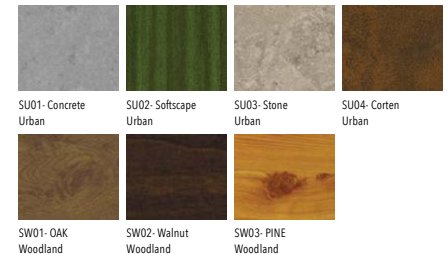


G

Product colour



Special finishes upon request



Technical information

| | |
|-----------------------|---------------|
| Light source | 1 COB |
| Light source type | COB |
| Dimming type | DALI, On/Off |
| Material | Aluminium |
| Weight | 10.2 kg |
| Operating temperature | -20°C to 40°C |

| | |
|------------------|--------------------------|
| Luminaire | |
| Power | 15 W |
| Lumen | 397 - 418 lm |
| Efficacy | 26 - 28 lm/W |
| CCT / CRI | 3000K CRI80, 4000K CRI80 |
| Drive current | 350 mA |
| Driver option | Integral control gear |
| Driver | Constant current (CC) |
| Input voltage | 220-240 V 50/60 Hz |

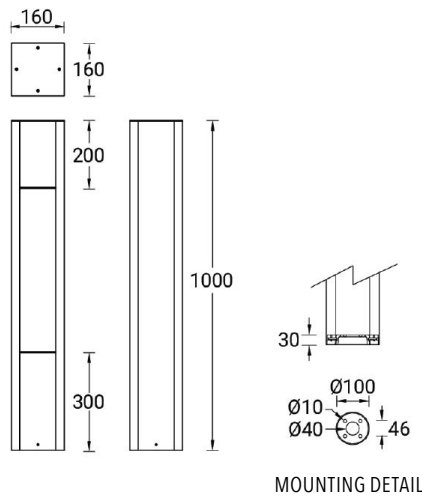
| | |
|-----------------------|----------|
| Optic | G [67°] |
| Bug | B0-U0-G0 |
| ULR | 0% |
| ULOR | 0% |
| CIE flux code n°3 | 99 |
| MacAdam Ellipse | 3 SDCM |
| Lifetime L90B10 (hrs) | 61,000 |

VANCOUVER 39 (VA-10151)

Product variants

HOW TO SPECIFY

| MODEL | OUTPUT | DISTRIBUTION | CRI/CCT | DIMMING | COLOUR FINISH |
|----------|---------|--------------|---------|---------|--------------------|
| VA-10151 | 350 15W | G | 8030 | ND | 01 BLACK |
| | | | 8040 | DALI | 02 DARK GREY |
| | | | | | 03 WHITE |
| | | | | | 05 MATT SILVER |
| | | | | | 06 BRONZE |
| | | | | | S - SPECIAL FINISH |



Accessories



Anchor Bolt
LIGA - A12191