

QUANTUM 2 (QA-50013)



Product description

Medium



Luminaire structure

- Die-cast aluminium housing
- Pre-treated before powder coating ensuring high corrosion resistance
- Single cable entry, through wiring upon request
- One IP68 connector supplied with 0.2 m of 3x1.0 sqmm outdoor cable for QA-50013
- Stainless steel fasteners in grade 304 with zinc flake coating (ZFC)
- Durable silicone rubber gasket
- High-efficiency optical reflector
- Clear toughened glass
- Integral control gear

Light symbol



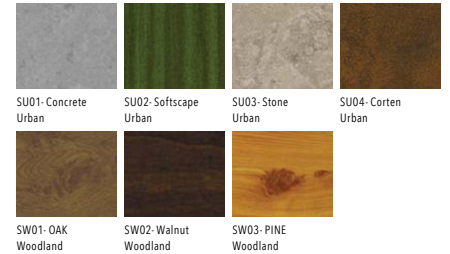
VN

Product colour



- 01- Black (RAL 9011)
- 02- Dark Grey (RAL 7043)
- 03- White (RAL 9003)
- 05- Matt Silver (RAL 9006)
- 06- Bronze (RAL 6014)

Special finishes upon request



- SU01- Concrete Urban
- SU02- Softscape Urban
- SU03- Stone Urban
- SU04- Corten Urban
- SW01- OAK Woodland
- SW02- Walnut Woodland
- SW03- PINE Woodland

Technical information

Light source	18 LED
Light source type	LED
Dimming type	DALI, On/Off
Material	Aluminium
Weight	8.5 kg
Operating temperature	-20°C to 40°C

Luminaire	
Power	76 W
Lumen	6688 - 8899 lm
Efficacy	88 - 117 lm/W
CCT / CRI	3000K, 4000K
Drive current	700 mA
Driver option	Integral control gear
Driver	Constant current (CC)
Input voltage	220-240 V 50/60 Hz

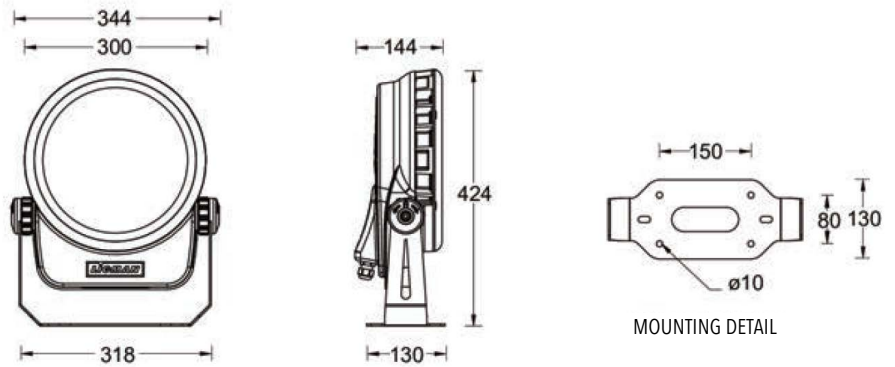
Optic	VN [8°]
Bug	B4-U0-G0
ULR	0%
ULOR	0%
CIE flux code n°3	100
MacAdam Ellipse	3 SDCM
Lifetime L90B10 (hrs)	109,000
Lifetime L80B10 (hrs)	109,000
Lifetime L80B50 (hrs)	109,000

QUANTUM 2 (QA-50013)

Product variants

HOW TO SPECIFY

LIGA	-	QA-50013	-	700	-	VN	-	8030	-	ND	-	01
		MODEL		OUTPUT		DISTRIBUTION		CRI/CCT		DIMMING		COLOUR FINISH
		QA-50013		700 76W		VN		8030		ND		01 BLACK
								8040		DALI		02 DARK GREY
												03 WHITE
												05 MATT SILVER
												06 BRONZE
												S - SPECIAL FINISH



Accessories



Linear spread lens
LIGA-A51714



Anti-glare visor
LIGA-A53831



Anti-glare hood
LIGA-A53931