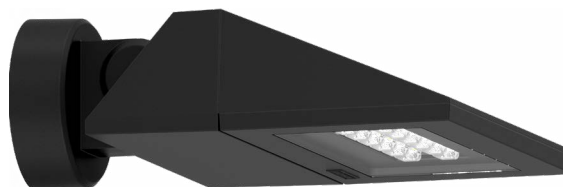


VEKTER 9 (VK-30021)



Product description

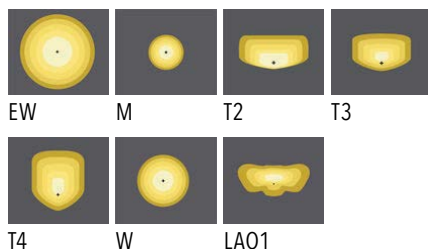
Mounting box - Medium



Luminaire structure

- Die-cast aluminium housing and frame
- Pre-treated before powder coating ensuring high corrosion resistance
- Single cable entry, through wiring upon request
- Stainless steel fasteners in grade 304 with zinc flake coating (ZFC)
- Durable silicone rubber gasket
- Clear toughened glass
- Integral control gear
- Optional surface mounting box for easy wiring or conduit connection when wiring from behind is not possible

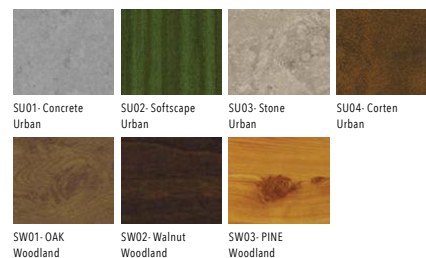
Light symbol



Product colour



Special finishes upon request



Technical information

Light source	12 LED
Light source type	LED
Dimming type	DALI, On/Off
Material	Aluminium
Weight	4.6 kg
Operating temperature	-20°C to 40°C

Luminaire	
Power	20 W
Lumen	2148 - 2473 lm
Efficacy	107 - 124 lm/W
CCT / CRI	3000K CRI80, 4000K CRI80
Drive current	500 mA
Driver option	Integral control gear
Driver	Constant current (CC)
Input voltage	220-240 V 50/60 Hz

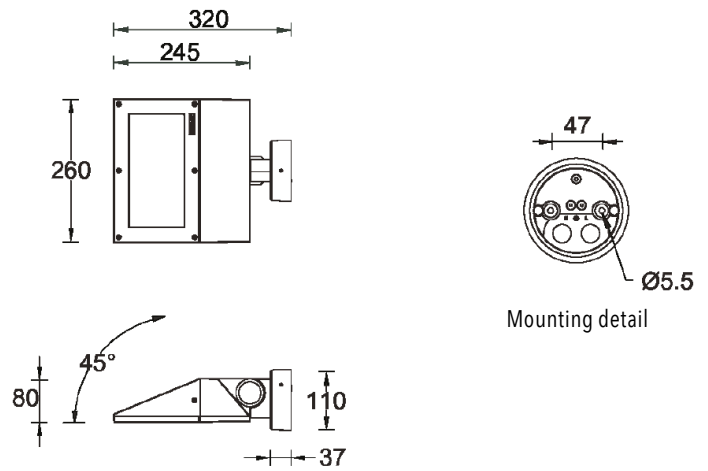
Optic	EW [99°x102°], M [30°], T2 [129°x49°], T3 [112°x80°], T4 [89°x60°], W [56°], LA01 [151°x65°]
Bug	B1-U0-G0, B2-U0-G0, B1-U0-G1
ULOR	0%
CIE flux code n°3	99, 97
MacAdam Ellipse	3 SDCM
Lifetime L90B10 (hrs)	90,000
Lifetime L80B10 (hrs)	90,000
Lifetime L80B50 (hrs)	90,000

VEKTER 9 (VK-30021)

Product variants

HOW TO SPECIFY

LIGA	-	VK-30021	-	500	-	T2	-	8030	-	ND	-	01
MODEL	OUTPUT	DISTRIBUTION	CRI/CCT	DIMMING	COLOUR FINISH							
VK-30021	500 20W	EW	8030	ND	01 BLACK							
		M	8040	DALI	02 DARK GREY							
		T2			03 WHITE							
		T3			05 MATT SILVER							
		T4			06 BRONZE							
		W			S - SPECIAL FINISH							
		LA01										



Accessories



Surface mounting box for easy cabling (VEKTER 9)
LIGA-SCE-VEKTER-9