



## Product description

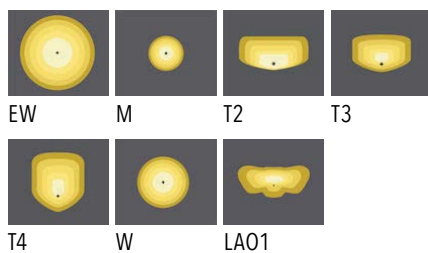
Down - Rectangular



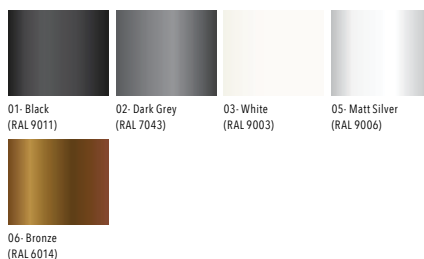
## Luminaire structure

- Die-cast aluminium housing and frame
- Pre-treated before powder coating ensuring high corrosion resistance
- Single cable entry, through wiring upon request
- Stainless steel fasteners in grade 304 with zinc flake coating (ZFC)
- Durable silicone rubber gasket
- Clear toughened glass
- Integral control gear
- Optional surface mounting box for easy wiring or conduit connection when wiring from behind is not possible

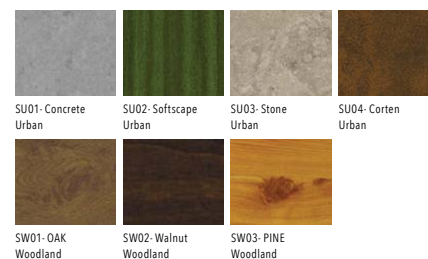
## Light symbol



## Product colour



## Special finishes upon request



## Technical information

Light source	12 LED
Light source type	LED
Dimming type	DALI, On/Off
Material	Aluminium
Weight	1.8 kg
Operating temperature	-20°C to 40°C

Luminaire	
Power	20 W
Lumen	2045 - 2422 lm
Efficacy	104 - 123 lm/W
CCT / CRI	3000K CRI80, 4000K CRI80
Drive current	500 mA
Driver option	Integral control gear
Driver	Constant current (CC)
Input voltage	220-240 V 50/60 Hz

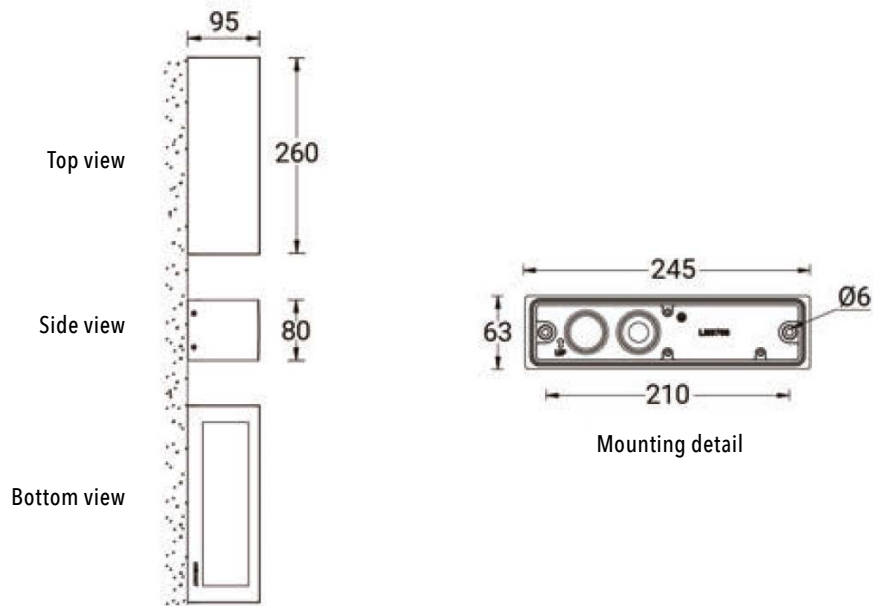
Optic	EW [109°x102°], M [30°], T2 [137°x58°], T3 [124°x86°], T4 [108°x66°], W [56°], LAO1 [151°x65°]
Bug	B1-U0-G0, B2-U0-G0, B1-U0-G1
ULR	0%
ULOR	0%
CIE flux code n°3	99, 97, 98, 100
MacAdam Ellipse	3 SDCM
Lifetime L90B10 (hrs)	90,000
Lifetime L80B10 (hrs)	90,000
Lifetime L80B50 (hrs)	90,000

**LEEDS 6 (LEE-30021)**

**Product variants**

**HOW TO SPECIFY**

MODEL	OUTPUT	DISTRIBUTION	CRI/CCT	DIMMING	COLOUR FINISH
LEE-30021	500 20W	EW	8030	ND	01 BLACK
		M	8040	DA	02 DARK GREY
		T2			03 WHITE
		T3			05 MATT SILVER
		T4			06 BRONZE
		W			S - SPECIAL FINISH
		LA01			



**Accessories**



Surface mounting box for easy cabling (LEEDS 6)  
LIGA-SCE-LEEDS-6