

LIGHTALK 12 (LA-60032)



Product description

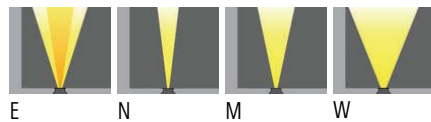
With recessing box - Without remote driver
 Constant voltage (CV) 24 V - 655 mm
 Class III - RGBW



Luminaire structure

- Die-cast aluminium housing
- Extruded aluminium housing
- Pre-treated before powder coating ensuring high corrosion resistance
- Stainless steel frame on request
- Stainless steel fasteners in grade 304 with zinc flake coating (ZFC)
- Four IP68 connectors supplied with 2x0.2 m of 2x1.0 sqmm outdoor cable and 2x0.2 m of 2x0.5 sqmm outdoor shielded cable for LA-60032
- Durable silicone rubber gasket
- Clear toughened glass
- Recessing box is included
- Remote driver for constant voltage (CV) not included
- Suitable for walk-over with a maximum load of 500 kg
- DC24V input, DMX512 address with constant current control for RGBW products

Light symbol



Product colour



Technical information

Light source	18 LED
Light source type	LED
Dimming type	DMX, DMX/RDM
Material	Stainless Steel
Weight	4.6 kg
Operating temperature	-20°C to 40°C

Luminaire	
Power	35 W
Lumen	905 - 1948 lm
Efficacy	32 - 70 lm/W
CCT / CRI	RGBW30, RGBW40, RGB+Amber
Drive current	24 VDC
Driver option	Remote driver for constant voltage (CV) not included
Driver	Constant voltage (CV) 24V
Input voltage	24 VDC

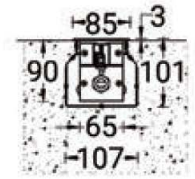
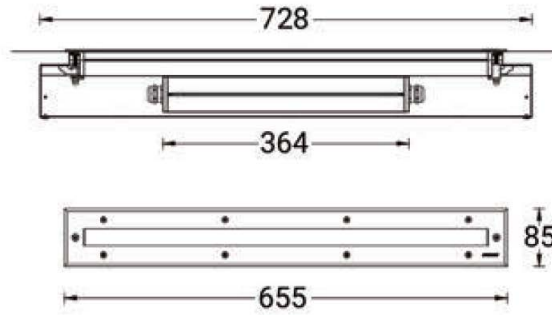
Optic	E [20°x30°], N [16°] M [32°], W [55°]
-------	------------------------------------------

LIGHTALK 12 (LA-60032)

Product variants

HOW TO SPECIFY

LIGA	-	LA-60032	-	35	-	M	-	RGBW30	-	DMX/RDM	-	00
MODEL	OUTPUT	DISTRIBUTION	CRI/CCT	DIMMING	COLOUR FINISH							
LA-60032	35W	E	RGBW30	DMX	00 STAINLESS STEEL							
		N	RGBW40	DMX/RDM								
		M	RGB+AMBER									
		W										



MOUNTING DETAIL