

**MARVIK 3 (MV-30021)**



**Product description**

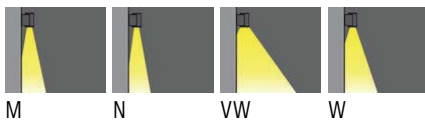
Ø150 - 240mm - Down



**Luminaire structure**

- Die-cast aluminium housing and frame
- Pre-treated before powder coating ensuring high corrosion resistance
- Single cable entry
- Stainless steel fasteners in grade 304 with zinc flake coating (ZFC)
- Durable silicone rubber gasket
- High-efficiency optical reflector
- Clear toughened glass
- Integral control gear
- Optional surface mounting box for easy wiring or conduit connection when wiring from behind is not possible

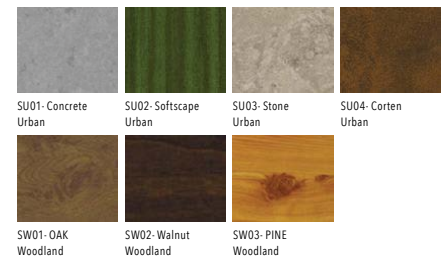
**Light symbol**



**Product colour**



**Special finishes upon request**



**Technical information**

Light source	1 COB
Light source type	COB
Dimming type	DALI, On/Off
Material	Aluminium
Weight	4.5 kg
Operating temperature	-20°C to 40°C

<b>Luminaire</b>	
Power	41 W
Lumen	4182 - 4931 lm
Efficacy	102 - 120 lm/W
CCT / CRI	3000K CRI80, 4000K CRI80
Drive current	1050 mA
Driver option	Integral control gear
Driver	Constant current (CC)
Input voltage	220-240 V 50/60 Hz

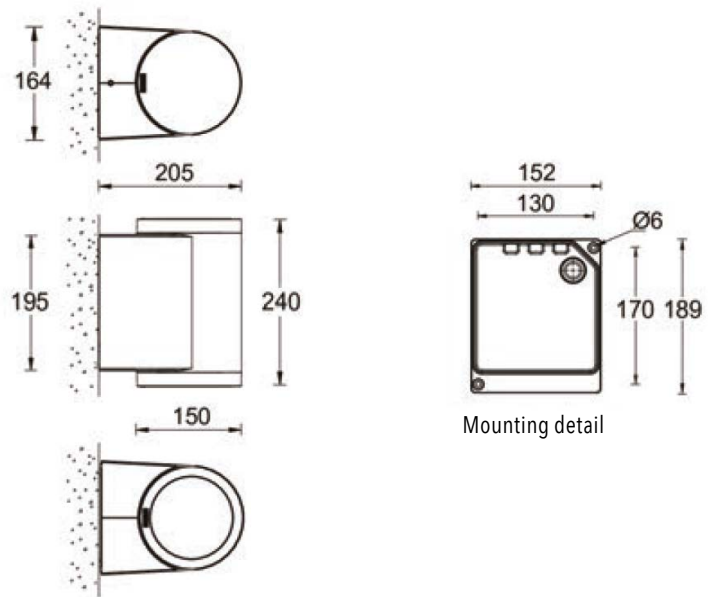
Optic	M [28°], N [16°], VW [68°], W [44°]
Bug	B3-U0-G0
ULR	0%
ULOR	0%
CIE flux code n°3	100, 99
MacAdam Ellipse	3 SDCM
Lifetime L90B10 (hrs)	50,700
Lifetime L80B10 (hrs)	63,500
Lifetime L80B50 (hrs)	63,500

**MARVIK 3 (MV-30021)**

**Product variants**

**HOW TO SPECIFY**

MODEL	OUTPUT	DISTRIBUTION	CRI/CCT	DIMMING	COLOUR FINISH
MV-30021	1050 41W	M	8030	ND	01 BLACK
		N	8040	DALI	02 DARK GREY
		VW			03 WHITE
		W			05 MATT SILVER
					06 BRONZE
					S- SPECIAL FINISH



**Accessories**



Surface mounting box for easy cabling (MARVIK 3)  
LIGA-SCE-MARVIK-3