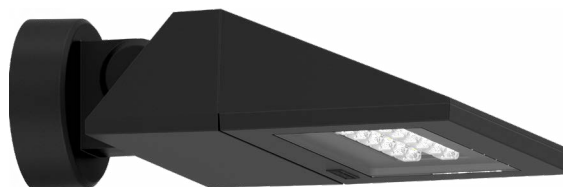




Product description

Mounting box - Medium



Luminaire structure

- Die-cast aluminium housing and frame
- Pre-treated before powder coating ensuring high corrosion resistance
- Single cable entry, through wiring upon request
- Stainless steel fasteners in grade 304 with zinc flake coating (ZFC)
- Durable silicone rubber gasket
- Clear toughened glass
- Integral control gear
- Optional surface mounting box for easy wiring or conduit connection when wiring from behind is not possible

Light symbol



EW M T2 T3



T4 W LA01

Product colour



01- Black (RAL 9011) 02- Dark Grey (RAL 7043) 03- White (RAL 9003) 05- Matt Silver (RAL 9006)



06- Bronze (RAL 6014)

Special finishes upon request



SU01- Crete Urban SU02- Softscape Urban SU03- Stone Urban SU04- Corten Urban



SW01- OAK Woodland SW02- Walnut Woodland SW03- PINE Woodland

Technical information

Light source	12 LED
Light source type	LED
Dimming type	DALI, On/Off
Material	Aluminium
Weight	4.6 kg
Operating temperature	-20°C to 40°C

Luminaire	
Power	28 W
Lumen	2873 - 3330 lm
Efficacy	103 - 119 lm/W
CCT / CRI	3000K CRI80, 4000K CRI80
Drive current	700 mA
Driver option	Integral control gear
Driver	Constant current (CC)
Input voltage	220-240 V 50/60 Hz

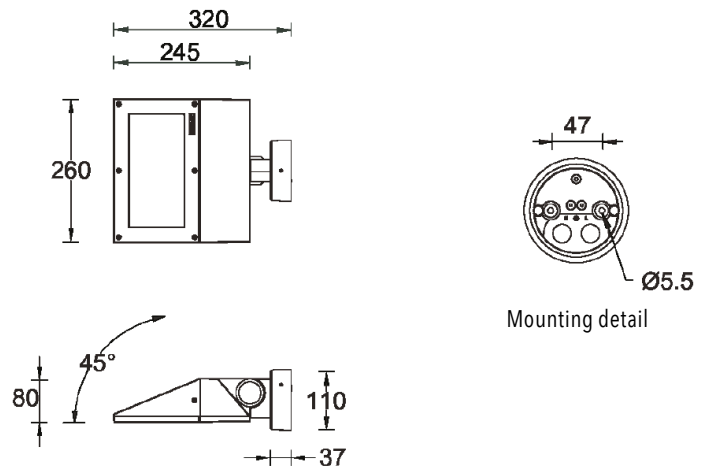
Optic	EW [99°x102°], M [30°], T2 [129°x49°], T3 [112°x80°], T4 [89°x60°], W [56°], LA01 [151°x65°]
Bug	B1-U0-G0, B2-U0-G0, B3-U0-G0, B1-U0-G1
ULR	0%
ULOR	0%
CIE flux code n°3	99, 97
MacAdam Ellipse	3 SDCM
Lifetime L90B10 (hrs)	90,000
Lifetime L80B10 (hrs)	90,000
Lifetime L80B50 (hrs)	90,000

VEKTER 9 (VK-30022)

Product variants

HOW TO SPECIFY

DALI	VK-30022	-	700	-	T2	-	8030	-	ND	-	01
	MODEL		OUTPUT		DISTRIBUTION		CRI/CCT		DIMMING		COLOUR FINISH
	VK-30022		700 28W		EW		8030		ND		01 BLACK
					M		8040		DALI		02 DARK GREY
					T2						03 WHITE
					T3						05 MATT SILVER
					T4						06 BRONZE
					W						S - SPECIAL FINISH
					LA01						



Accessories



Surface mounting box for easy cabling (VEKTER 9)
LIGA-SCE-VEKTER-9