

ODESSA 2 (OD-50012)



Product description

Medium



Luminaire structure

- Die-cast aluminium housing
- Pre-treated before powder coating ensuring high corrosion resistance
- Single cable entry
- One IP68 connector supplied with 0.2 m of 3x1.0 sqmm outdoor cable for OD-50012
- Stainless steel fasteners in grade 304 with zinc flake coating (ZFC)
- Durable silicone rubber gasket
- High-efficiency optical reflector
- Clear toughened glass
- Integral control gear
- Arm mounting installation

Light symbol

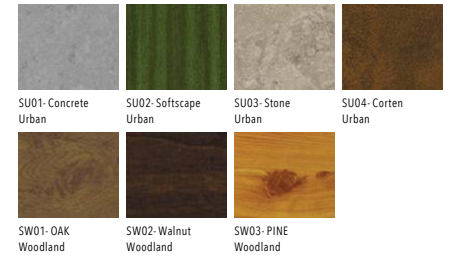


VN

Product colour



Special finishes upon request



Technical information

Light source	3 LED
Light source type	LED
Dimming type	DALI, On/Off
Material	Aluminium
Weight	2.3 kg
Operating temperature	-20°C to 40°C

Luminaire	
Power	27 W
Lumen	1704 - 2005 lm
Efficacy	63 - 74 lm/W
CCT / CRI	3000K CRI80, 4000K CRI80
Drive current	700 mA
Driver option	Integral control gear
Driver	Constant current (CC)
Input voltage	220-240 V 50/60 Hz

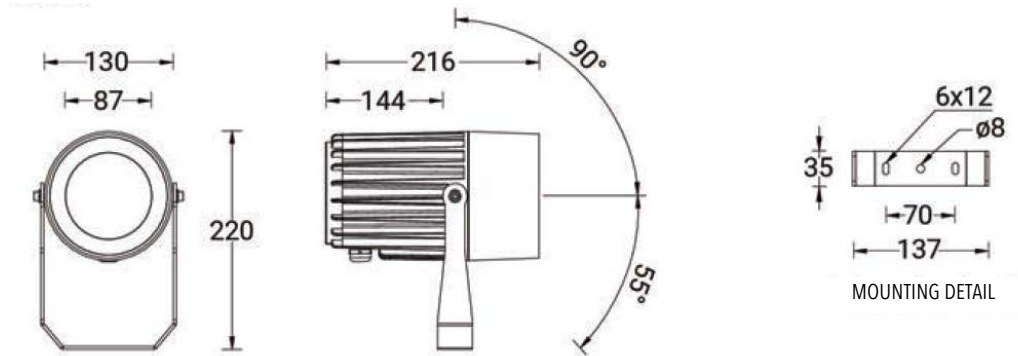
Optic	VN [8°]
MacAdam Ellipse	3 SDCM
Lifetime L90B10 (hrs)	109,000
Lifetime L80B10 (hrs)	109,000
Lifetime L80B50 (hrs)	109,000

ODESSA 2 (OD-50012)

Product variants

HOW TO SPECIFY

LIGA	-	OD-50012	-	700	-	VN	-	8030	-	ND	-	01
		<b>MODEL</b>		<b>OUTPUT</b>		<b>DISTRIBUTION</b>		<b>CRI/CCT</b>		<b>DIMMING</b>		<b>COLOUR FINISH</b>
		OD-50012		700 27W		VN		8030		ND		01 BLACK
								8040		DALI		02 DARK GREY
												03 WHITE
												05 MATT SILVER
												06 BRONZE
												S - SPECIAL FINISH



Accessories



Anti-glare louvre  
LIGA-A80231



Anti-glare visor  
LIGA-A80131



Linear spread lens  
LIGA-A80114



Pole clamp for ODESSA 1, 2  
LIGA-A22581