

**TANGO 32 (TA-31893)**



**Product description**

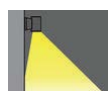
186x186 mm - 290 mm - Down (Optic)  
& Up (Optic 2nd) - Square



**Luminaire structure**

- Die-cast aluminium housing and frame
- Pre-treated before powder coating ensuring high corrosion resistance
- Single cable entry
- Stainless steel fasteners in grade 304 with zinc flake coating (ZFC)
- Durable silicone rubber gasket
- Clear toughened glass
- High-efficiency optical reflector
- Integral control gear
- Optional surface mounting box for easy wiring or conduit connection when wiring from behind is not possible

**Light symbol**

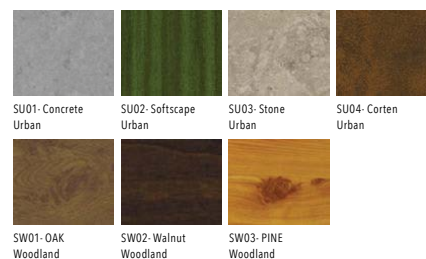


AS / AS

**Product colour**



**Special finishes upon request**



**Technical information**

Light source	1 COB
Light source type	COB
Dimming type	DALI, On/Off
Material	Aluminium
Weight	8.4 kg
Operating temperature	-20°C to 40°C

<b>Luminaire</b>	
Power	58 W
Lumen	5070 - 5132 lm
Efficacy	87 - 88 lm/W
CCT / CRI	3000K CRI80, 4000K CRI80
Drive current	700 mA
Driver option	Integral control gear
Driver	Constant current (CC)
Input voltage	220-240 V 50/60 Hz

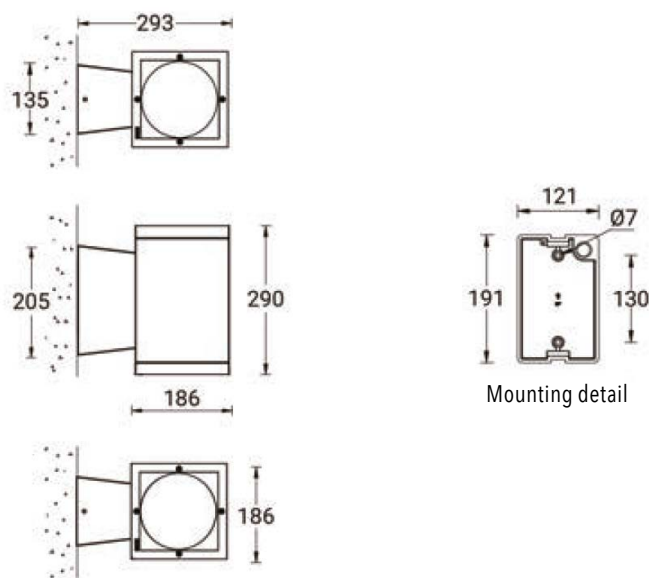
Optic	AS [46°x56°]
Optic (Up)	AS [46°x56°]
MacAdam Ellipse	3 SDCM
Lifetime L90B10 (hrs)	55,000

TANGO 32 (TA-31893)

Product variants

HOW TO SPECIFY

LIGA	- TA-31893	- 700	- AS	- AS	- 8030	- ND	- 01
MODEL	OUTPUT	DISTRIBUTION		CRI/CCT	DIMMING	COLOUR FINISH	
<b>DOWN-UP</b>							
TA-31893	700 58W	AS	AS	8030	ND	01 BLACK	
						02 DARK GREY	
						03 WHITE	
						05 MATT SILVER	
						06 BRONZE	
S - SPECIAL FINISH							



Accessories



Surface mounting box for easy cabling (TANGO 32)  
LIGA-SCE-TANGO-32