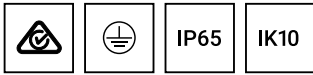
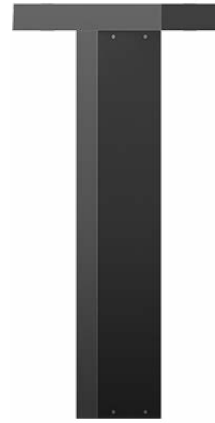


LIGHT LINEAR PT 2 (LI-10031)



Product description

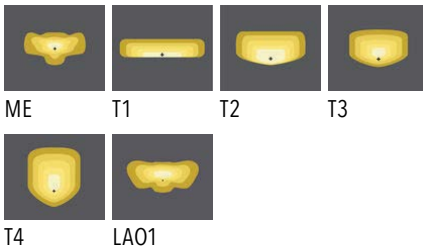
200x80 mm - 1000 mm - 2 sides



Luminaire structure

- Die-cast aluminium housing
- Extruded aluminium column
- Pre-treated before powder coating ensuring high corrosion resistance
- Single cable entry
- One IP68 connector supplied with 0.2 m of 3x1.0 sqmm outdoor cable
- Stainless steel fasteners in grade 304 with zinc flake coating (ZFC)
- Durable silicone rubber gasket
- Clear toughened glass
- High-efficiency PMMA lens
- Integral control gear

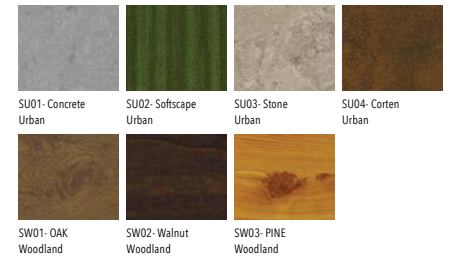
Light symbol



Product colour



Special finishes upon request



Technical information

Light source	2 x 12 LED
Light source type	LED
Dimming type	On/Off
Material	Aluminium
Weight	14.9 kg
Operating temperature	-20°C to 40°C

Luminaire	
Power	54 W
Lumen	5900 - 6328 lm
Efficacy	109 - 117 lm/W
CCT / CRI	3000K CRI80, 4000K CRI80
Drive current	700 mA
Driver option	Integral control gear
Driver	Constant current (CC)
Input voltage	220-240 V 50/60 Hz

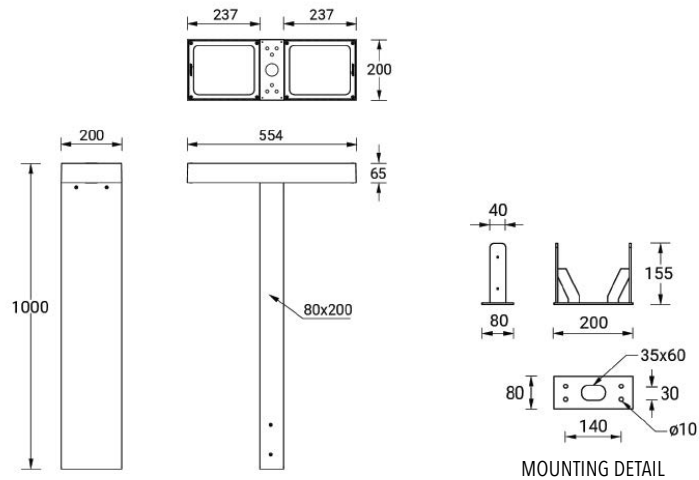
Optic	ME [138°x56°], T1 [149°x72°] T2 [137°x51°], T3 [126°x89°] T4 [103°x74°], LA01 [151°x65°]
Bug	B1-U0-G1, B2-U0-G2
ULR	0%
ULOR	0%
CIE flux code n°3	98, 97
MacAdam Ellipse	3 SDCM
Lifetime L90B10 (hrs)	90,000
Lifetime L80B10 (hrs)	90,000
Lifetime L80B50 (hrs)	90,000

LIGHT LINEAR PT 2 (LI-10031)

Product variants

HOW TO SPECIFY

MODEL	OUTPUT	DISTRIBUTION	CRI/CCT	DIMMING	COLOUR FINISH
LI-10031	700 54W	ME	8030	ND	01 BLACK
		T1	8040		02 DARK GREY
		T2			03 WHITE
		T3			05 MATT SILVER
		T4			06 BRONZE
		LA01			S - SPECIAL FINISH



Accessories



Anchor bolt
LIGA - A11191