

**JET 35 (JE-30341)**



**Product description**

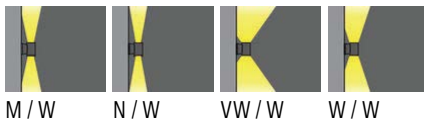
Ø102 - 218 mm - Down (Optic)  
& Up (Optic 2nd) - Round



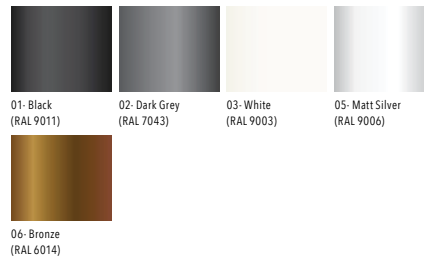
**Luminaire structure**

- Die-cast aluminium housing
- Pre-treated before powder coating ensuring high corrosion resistance
- Single cable entry
- Stainless steel fasteners in grade 304 with zinc flake coating (ZFC)
- Durable silicone rubber gasket
- High-efficiency optical reflector
- Clear toughened glass
- Integral control gear
- Optional surface mounting box for easy wiring or conduit connection when wiring from behind is not possible

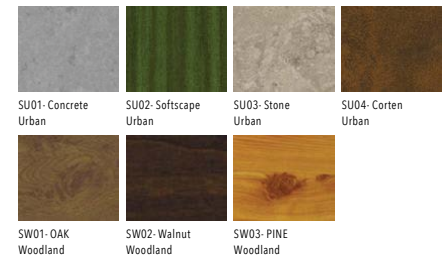
**Light symbol**



**Product colour**



**Special finishes upon request**



**Technical information**

Light source	1 & 1 COB
Light source type	COB
Dimming type	DALI, On/Off
Material	Aluminium
Weight	2.3 kg
Operating temperature	-20°C to 40°C

Luminaire	
Power	27 W
Lumen	2740 - 3236 lm
Efficacy	100 - 118 lm/W
CCT / CRI	3000K CRI80, 4000K CRI80
Drive current	350 mA
Driver option	Integral control gear
Driver	Constant current (CC)
Input voltage	220-240 V 50/60 Hz

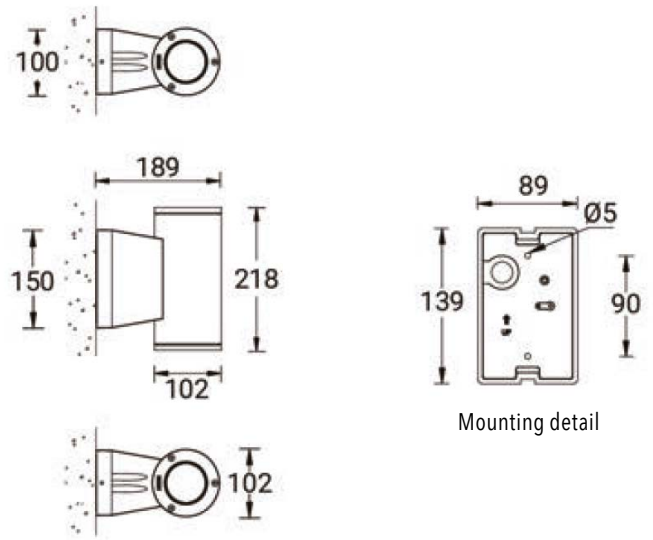
Optic	M [24°], N [18°], VW [72°], W [41°]
Optic (Up)	M [24°], N [18°], VW [72°], W [41°]
Bug	B2-U5-G0, B1-U5-G0
ULR	50%, 49%, 47%, 48%, 53%, 52%, 51%
ULOR	50%, 49%, 47%, 48%, 53%, 52%, 51%
CIE flux code n°3	100
MacAdam Ellipse	3 SDCM
Lifetime L90B10 (hrs)	55,000

JET 35 (JE-30341)

Product variants

HOW TO SPECIFY

LIGA - JE-30341 - 350 - M - N - 8030 - ND - 01						
MODEL	OUTPUT	DISTRIBUTION		CRI/CCT	DIMMING	COLOUR FINISH
<b>DOWN-UP</b>						
JE-30341	350 27W	M	M	8030	ND	01 BLACK
		N	N	8040	DALI	02 DARK GREY
		VW	VW			03 WHITE
		W	W			05 MATT SILVER
						06 BRONZE
					S - SPECIAL FINISH	



Accessories



Surface mounting box for easy cabling (JET 35)  
LIGA-SCE-JET-35