

LIGHTSOFT 1 (LH-10665)



Product description

Ø186 - 1000 mm - Round - IK10



Luminaire structure

- Die-cast aluminium housing
- Extruded aluminium column
- Pre-treated before powder coating ensuring high corrosion resistance
- Single cable entry
- One IP68 connector supplied with 0.2 m of 3x1.0 sqmm outdoor cable
- Stainless steel fasteners in grade 304 with zinc flake coating (ZFC)
- Durable silicone rubber gasket
- High-efficiency polycarbonate lens
- Anodised, high-purity aluminium reflector
- Integral control gear

Light symbol

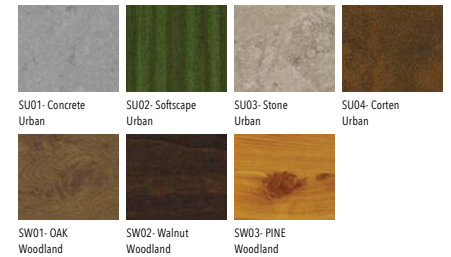


G

Product colour



Special finishes upon request



Technical information

Light source	12 LED
Light source type	LED
Dimming type	DALI, On/Off
Material	Aluminium
Weight	7.7 kg
Operating temperature	-20°C to 40°C

Luminaire	
Power	14 & 27 W
Lumen	580 - 1188 lm
Efficacy	43 - 44 lm/W
CCT / CRI	3000K CRI80, 4000K CRI80
Drive current	350 & 700 mA
Driver option	Integral control gear
Driver	Constant current (CC)
Input voltage	220-240 V 50/60 Hz

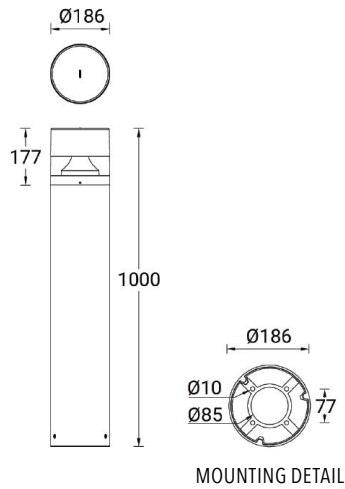
Optic	G [360°]
Bug	B1-U3-G1
ULR	8%
ULOR	8%
CIE flux code n°3	75
MacAdam Ellipse	3 SDCM
Lifetime L90B10 (hrs)	120,000
Lifetime L80B10 (hrs)	120,000
Lifetime L80B50 (hrs)	120,000

LIGHTSOFT 1 (LH-10665)

Product variants

HOW TO SPECIFY

LIGA	-	LH-10665	-	700	-	G	-	8030	-	ND	-	01
MODEL		OUTPUT		DISTRIBUTION		CRI/CCT		DIMMING		COLOUR FINISH		
LH-10665		350 14W		G		8030		ND		01 BLACK		
		700 27W				8040		DALI		02 DARK GREY		
										03 WHITE		
										05 MATT SILVER		
										06 BRONZE		
										S - SPECIAL FINISH		



Accessories



Anchor Bolt  
LIGA - A10391



Light Shield 180°  
LIGA - A10731



Light Shield 90°  
LIGA - A10831