

MACARON 1 (MC-20001)



Product description

IP66

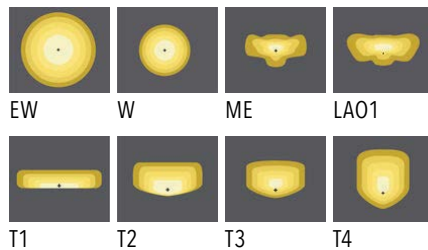


microVos™
TECHNOLOGY

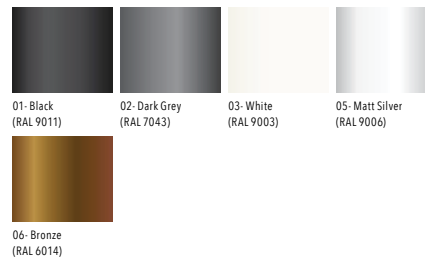
Luminaire structure

- Die-cast aluminium housing
- Pre-treated before powder coating ensuring high corrosion resistance
- Customised dimensions are available as standard upon request
- One IP68 connector supplied with 0.2 m of 3x1.0 sqmm outdoor cable
- Stainless steel fasteners in grade 304 with zinc flake coating (ZFC)
- Durable silicone rubber gasket
- High-efficiency PMMA lens
- Clear toughened glass
- Integral control gear

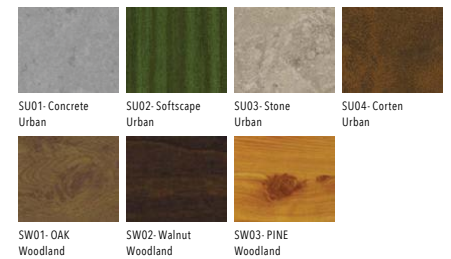
Light symbol



Product colour



Special finishes upon request



Technical information

Light source	2 x 24 LED
Light source type	LED
Dimming type	DALI, On/Off
Material	Aluminium
Weight	10.0 kg
Operating temperature	-20°C to 50°C

Luminaire	
Power	22 W, 40 W, 60 W & 81 W
Lumen	2290 - 10348 lm
Efficacy	113 - 128 lm/W
CCT / CRI	3000K CRI80, 4000K CRI80
Drive current	150, 275, 410, 550 mA
Driver option	Integral control gear
Driver	Constant current (CC)
Input voltage	220-240 V 50/60 Hz

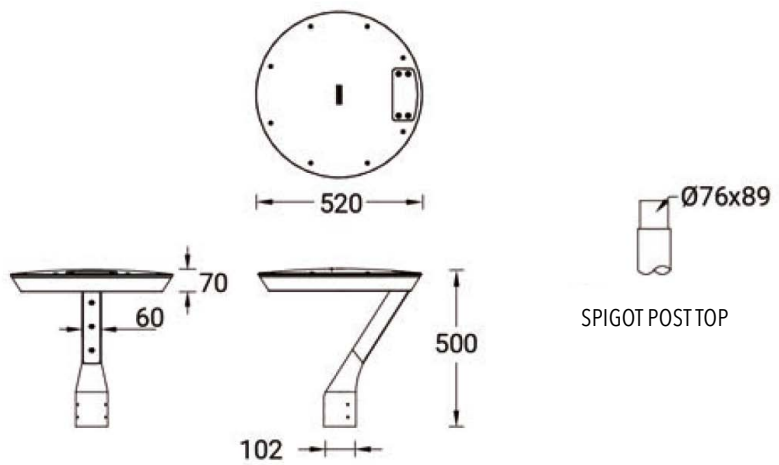
Optic	EW [105°x113°], W [51°x56°] ME [58°x136°], LAO1 [151°x65°] T1 [145°x68°], T2 [54°x137°] T3 [85°x119°], T4 [73°x101°]
Bug	B3-U0-G2, B2-U0-G2 B2-U0-G1, B3-U0-G1
ULR	0%
ULOR	0%
CIE flux code n°3	99, 97, 98

MACARON 1 (MC-20001)

Product variants

HOW TO SPECIFY

LIGA	MC-20001	500	G	8030	ND	01
MODEL	OUTPUT	DISTRIBUTION	CRI/CCT	DIMMING	COLOUR FINISH	
MC-20001	150 22W	EW	8030	ND	01 BLACK	
	275 40W	W	8040	DALI	02 DARK GREY	
	410 60W	ME			03 WHITE	
	550 81W	LA01			05 MATT SILVER	
		T1			06 BRONZE	
		T2			S - SPECIAL FINISH	
		T3				
		T4				



Accessories



Integrated Glare Technology
LIGA-IGT