

MARVIK 1 (MV-30001)



Product description

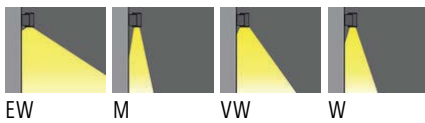
Ø75 - 200 mm - Down



Luminaire structure

- Die-cast aluminium housing and frame
- Pre-treated before powder coating ensuring high corrosion resistance
- Single cable entry
- Stainless steel fasteners in grade 304 with zinc flake coating (ZFC)
- Durable silicone rubber gasket
- High-efficiency optical reflector
- Clear toughened glass
- Integral control gear
- Optional surface mounting box for easy wiring or conduit connection when wiring from behind is not possible

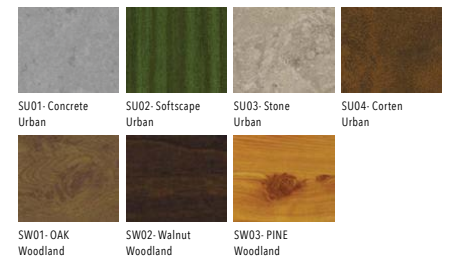
Light symbol



Product colour



Special finishes upon request



Technical information

Light source	1 COB
Light source type	COB
Dimming type	DALI, On/Off
Material	Aluminium
Weight	1.6 kg
Operating temperature	-20°C to 40°C

Luminaire	
Power	10 W
Lumen	1041 - 1139 lm
Efficacy	104 - 114 lm/W
CCT / CRI	3000K CRI80, 4000K CRI80
Drive current	250 mA
Driver option	Integral control gear
Driver	Constant current (CC)
Input voltage	220-240 V 50/60 Hz

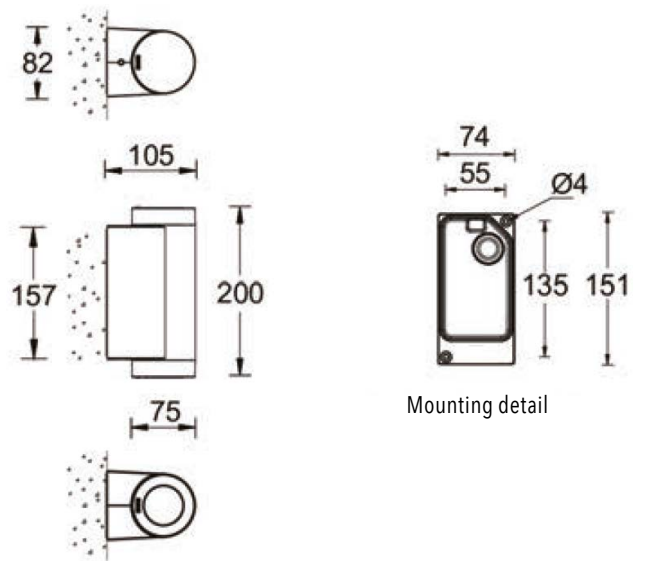
Optic	EW [70°], M [27°], VW [45°], W [32°]
Bug	B1-U0-G0
ULR	0%
ULOR	0%
CIE flux code n°3	99, 100
MacAdam Ellipse	3 SDCM
Lifetime L90B10 (hrs)	61,000

MARVIK 1 (MV-30001)

Product variants

HOW TO SPECIFY

MODEL	OUTPUT	DISTRIBUTION	CRI/CCT	DIMMING	COLOUR FINISH
MV-30001	250 10W	EW	8030	ND	01 BLACK
		M	8040	DALI	02 DARK GREY
		VW			03 WHITE
		W			05 MATT SILVER
					06 BRONZE
					S - SPECIAL FINISH



Accessories



Surface mounting box for easy cabling (MARVIK 1)
LIGA-SCE-MARVIK-1