

**VEKTER 10 (VK-30041)**



**Product description**

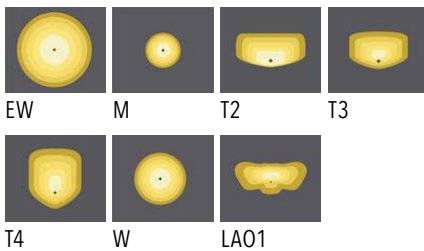
Mounting box - Large



**Luminaire structure**

- Die-cast aluminium housing and frame
- Pre-treated before powder coating ensuring high corrosion resistance
- Single cable entry, through wiring upon request
- Stainless steel fasteners in grade 304 with zinc flake coating (ZFC)
- Durable silicone rubber gasket
- Clear toughened glass
- Integral control gear
- Optional surface mounting box for easy wiring or conduit connection when wiring from behind is not possible

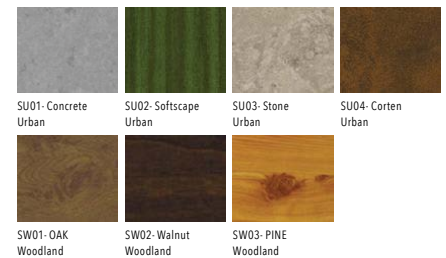
**Light symbol**



**Product colour**



**Special finishes upon request**



**Technical information**

Light source	24 LED
Light source type	LED
Dimming type	DALI, On/Off
Material	Aluminium
Weight	4.9 kg
Operating temperature	-20°C to 40°C

<b>Luminaire</b>	
Power	37 W
Lumen	4509 - 5143 lm
Efficacy	122 - 139 lm/W
CCT / CRI	3000K CRI80, 4000K CRI80
Drive current	500 mA
Driver option	Integral control gear
Driver	Constant current (CC)
Input voltage	220-240 V 50/60 Hz

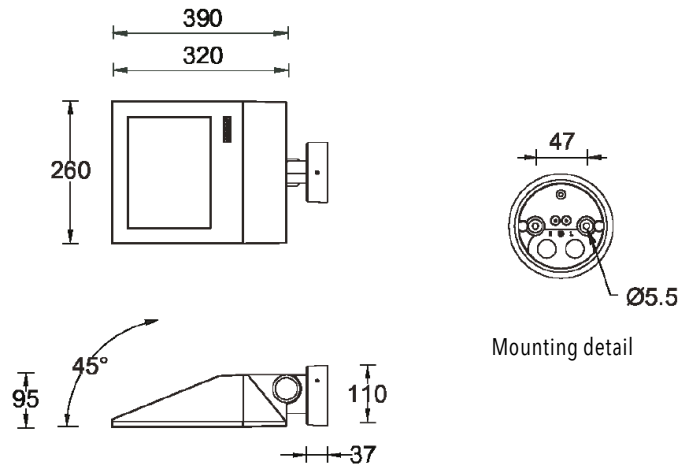
<b>Optic</b>	EW [99°x102°], M [30°], T2 [129°x49°], T3 [112°x80°], T4 [89°x60°], W [56°], LA01 [151°x65°]
<b>Bug</b>	B2-U0-G0, B3-U0-G0, B1-U0-G1
<b>ULOR</b>	0%
<b>CIE flux code n°3</b>	99, 98, 97
<b>MacAdam Ellipse</b>	3 SDCM
<b>Lifetime L90B10 (hrs)</b>	90,000
<b>Lifetime L80B10 (hrs)</b>	90,000
<b>Lifetime L80B50 (hrs)</b>	90,000

**VEKTER 10 (VK-30041)**

**Product variants**

**HOW TO SPECIFY**

MODEL	OUTPUT	DISTRIBUTION	CRI/CCT	DIMMING	COLOUR FINISH
VK-30041	500 37W	EW	8030	ND	01 BLACK
		M	8040	DALI	02 DARK GREY
		T2			03 WHITE
		T3			05 MATT SILVER
		T4			06 BRONZE
		W			S - SPECIAL FINISH
		LA01			



**Accessories**



Surface mounting box for easy cabling (VEKTER 10)  
LIGA-SCE-VEKTER-10