

LIGMAN
AUSTRALIA

NEVER OUTSHONE
STOCKED RANGE 01.23

Waratah
FUNCTION ROOM





LIGMAN
AUSTRALIA

Powered by



ELS

From our unique landscape through to the modernity of our cityscapes, Australia is a land of outdoor beauty. And there is no better way than to shine a light on this beauty than with Ligman Australia, one of the worlds premier outdoor luminaire brands.

The Ligman Australia product is architecturally 'on point' in terms of contemporary lighting design and utilises modern lighting technology to deliver aesthetic lighting appeal whilst at the same time ensuring energy efficiency and sustainability goals are met. Ligman Australia is exclusively distributed by Australia's own leading luminaire company ELS. It must be said though, that at ELS we do more than distribute. We bring over 30 years of custom design and manufacturing experience to Ligman Australia. This enables us to respond to specifically Australian design and specification briefs on behalf of clients to find the perfect exterior luminaire solutions. Through our local manufacturing capability we customise and fully assemble the Ligman Australia product to meet clients specific needs. Then we rigorously test to ensure both compliance and performance capability to Australian standards.

Ligman Australia, one of the world's best exterior luminary brands powered uniquely by Australia's leading luminaire company ELS.

QUALITY & WARRANTY

Quality is the basis for which the longevity of Ligman luminaires can be determined. The Ligman factory in Thailand carries ISO-9001 QMS certification, which gives us the confidence that all luminaires are manufactured to the highest standards. To back this quality Ligman houses their own SMT lab to provide assurance that all LED components are manufactured exactly to specification. Ligman produces all fabricated and die-cast components on-site along with all die-cast tooling in its state of the art toolmaking facility, ensuring exceptional quality of all components from beginning to end.

Our Brunswick assembly operation leverages these solid principles of quality Management to ensure that all luminaires are thoroughly inspected and tested after assembly for both physical and electrical operation before despatch to ensure that they will operate in all conditions long after our extensive warranty has passed. The ELS Quality Management System is based on the solid principles of ISO 9001, albeit not certified.

With this in mind, ELS performs various quality inspections before, during and post assembly to verify that all luminaires dispatched to a customer conform to their various requirements. This includes all locally produced and overseas sourced components. Electrical and visual inspections are carried out in 100% of products, so that no products leave without being individually tested and inspected. ELS also maintain a Non-Conformance Register along with associated quality documents to track, investigate and resolve issues when and if they arise. Through this commitment to quality of manufacture Ligman Australia feel confident to offer an industry leading 10-year warranty to the Australian market.

10
YEAR
WARRANTY



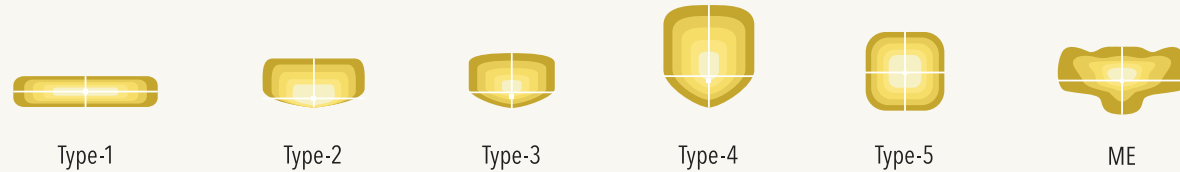
AUSTRALIAN CORE RANGE

QUICK TURNAROUND STOCK ITEMS

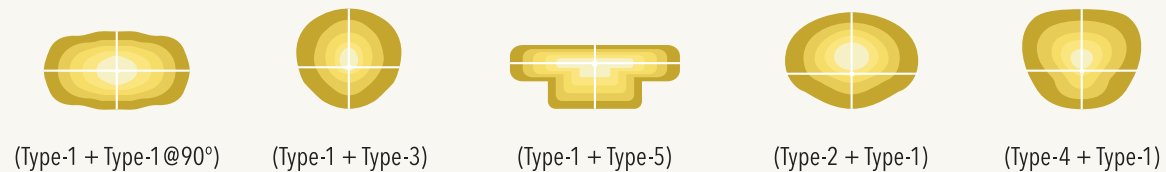
At Ligman Australia we understand the complexities of exterior projects, this is why we offer a range of core products that are kept on the shelf ready to wire at our Brunswick facility. This ensures any project deadline can be met without the worry of extended lead times. Our core range features our most popular products sold into the Australian market which covers post tops, bollards, wall mounted and ceiling mounted luminaires. These luminaires can be supplied in a variety of outputs and stocked colour temperatures.

Utilising Ligman Australia's MicroVOS™ high efficiency PMMA optical system, distributions can be tailored around our standard MicroVOS™ offering ensuring even custom optical requirement can be met within our core stocked range.

Typical standard MicroVOS™ optics



Combination optic examples



microVos™

LIGMAN
AUSTRALIA



VEKTER 5

POST TOP LUMINAIRE

IP65

IK08

The Vekter family is one of Ligman Australia's most versatile ranges. Available in either wall mounted or post top mounted variations, this product family offers a sleek, angular design and powerful technical performance. Ligman Australia's MicroVOS™ optical system is available across the range and ensures an endless selection of optical distributions to meet various Australian spacing standards. The Vekter range of products is highly robust and perfectly suited to the harsh Australian climate.

Construction

- Die-cast aluminium housing and frame
- Pre-treated before powder coating ensuring high corrosion resistance
- Stainless steel fasteners in grade 304 with zinc flake coating (ZFC)
- Durable silicone rubber gaskets - Clear toughened glass
- 10kV surge protection on post top versions
- Wall versions can be mounted for upward for indirect illumination of ceilings

Stocked Light Distributions



LA01

T4

T3

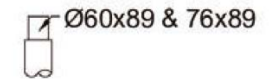
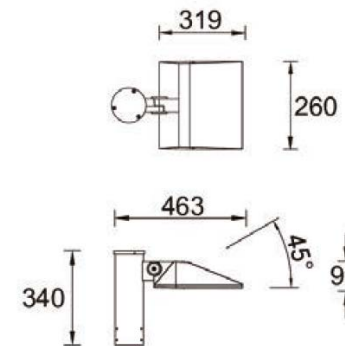
T2

Stocked Product Colour



01 Black

(RAL9011)



Spigot post top

POST TOP LUMINAIRE LARGE

	Product Code	Light Source	Power	Lumens	Weight	Optics				CCT/CRI	Dimming Type
						T2	T3	T4	LAO1		
VEKTER 5	VK-90001-250	24 LED	19 W	2253 - 2570 lm	4.9 kg	140°x52°	140°x72°	97°x82°	151°x65°	8030 8040	ND DA
	VK-90002-350	24 LED	27 W	3052 - 3477 lm	4.9 kg	140°x52°	140°x72°	97°x82°	151°x65°	8030 8040	ND DA
	VK-90001-500	24 LED	37 W	4509 - 5143 lm	4.9 kg	140°x52°	140°x72°	97°x82°	151°x65°	8030 8040	ND DA
	VK-90002-700	24 LED	54 W	6104 - 6954 lm	4.9 kg	140°x52°	140°x72°	97°x82°	151°x65°	8030 8040	ND

Maximum pathway spacing in meters

		PATHWAY WIDTH			
		2.0 m		3.0 m	
LUMINAIRE	AS/NZS 1158.3.1:2020	MH 4.0m	MH 5.0m	MH 4.0m	MH 5.0m
LIGA-VK-90001-500-LAO1-8030	PP1 LIGHT CAT	16.3	19.9	16.3	19.8
	PP2 LIGHT CAT	19.6	24.6	19.5	24.5
	PP3 LIGHT CAT	24.8	30.1	24.7	30.1
	PP4 LIGHT CAT	27.6	34.4	27.5	34.3
	PP5 LIGHT CAT	34.5	39.9	34.3	39.8

MAINTENANCE FACTOR - 0.8. OFFSET FROM PATH EDGE - 0.5m. Spacing table to be used as a guide.

Figures are based on parameters set out in AS/NZS 1158.3.1:2020 - Table 3.4.

VEKTER 1 & 2

SURFACE FACADE LUMINAIRE

IP65

IK08

The Vekter family is one of Ligman Australia's most versatile ranges. Available in either wall mounted or post top mounted variations, this product family offers a sleek, angular design and powerful technical performance. Ligman Australia's MicroVOS™ optical system is available across the range and ensures an endless selection of optical distributions to meet various Australian spacing standards. The Vekter range of products is highly robust and perfectly suited to the harsh Australian climate. Don't let conventional mounting of luminaires hold you back. The Vekter wall mounted luminaire can be mounted to offer upward illumination and, when coupled with the MicroVOS™ optical system, provides incredible performance through targeted indirect illumination.

Construction

- Die-cast aluminium housing and frame
- Pre-treated before powder coating ensuring high corrosion resistance
- Stainless steel fasteners in grade 304 with zinc flake coating (ZFC)
- Durable silicone rubber gaskets - Clear toughened glass
- Wall versions can be mounted for upward for indirect illumination of ceilings



Stocked Light Distributions



LA01

T4

T3

T2

Stocked Product Colour



01 Black

(RAL9011)

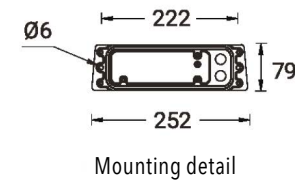
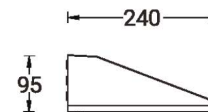
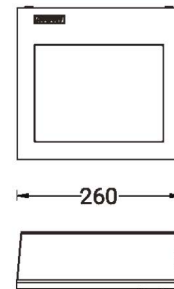
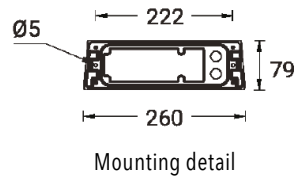
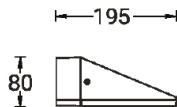
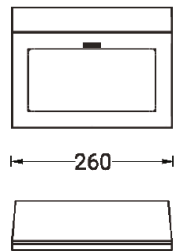
SURFACE FACADE LUMINAIRE

MEDIUM

	Product Code	Light Source	Power	Lumens	Weight	Optics				CCT/CRI	Dimming Type
						T2	T3	T4	LAO1		
VEKTER 1	VK-30001-500	12 LED	20 W	2148 - 2473 lm	3.2 kg	144°x50°	139°x68°	97°x77°	151°x65°	8030 8040	ND DA
	VK-30002-700	12 LED	28 W	2873 - 3330 lm	3.2 kg	144°x50°	139°x68°	97°x77°	151°x65°	8030 8040	ND DA

LARGE

	Product Code	Light Source	Power	Lumens	Weight	Optics				CCT/CRI	Dimming Type
						T2	T3	T4	LAO1		
VEKTER 2	VK-30003-250	24 LED	19 W	2255 - 2572 lm	4.9 kg	140°x52°	140°x72°	97°x82°	151°x65°	8030 8040	ND DA
	VK-30004-350	24 LED	27 W	3052 - 3477lm	4.9 kg	140°x52°	140°x72°	97°x82°	151°x65°	8030 8040	ND DA
	VK-30003-500	24 LED	37 W	4509 - 5143 lm	4.9 kg	140°x51°	140°x72°	97°x82°	151°x65°	8030 8040	ND DA
	VK-30004-700	24 LED	54 W	6104 - 6954 lm	4.9 kg	140°x51°	140°x72°	97°x82°	151°x65°	8030 8040	ND



LEEDS

SURFACE FACADE LUMINAIRE

IP65 IK07

Clean, beautiful, single or double sided surface wall-fixtures with class leading performance. Minimalist form, yet the most powerful and flexible lighting tool of its type, offering packages up to 4000 lumens. Ligman Australia's MicroVOST™ optical system is available across the range and ensures an endless selection of optical distributions to meet various Australian spacing standards. The Leeds surface facade luminaires are highly robust and perfectly suited to the harsh Australian climate.

Construction

- Die-cast aluminium housing and frame
- Pre-treated before powder coating ensuring high corrosion resistance
- Single cable entry
- Stainless steel fasteners in grade 304 with zinc flake coating (ZFC)
- Durable silicone rubber gasket
- Clear toughened glass
- Integral control gear



Stocked Light Distributions

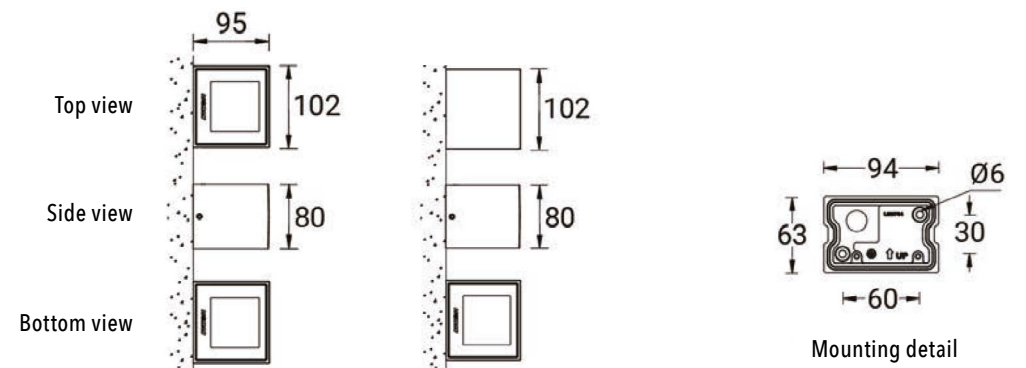


LA01 T4 T3 T2 W

Stocked Product Colour



01 Black (RAL9011)

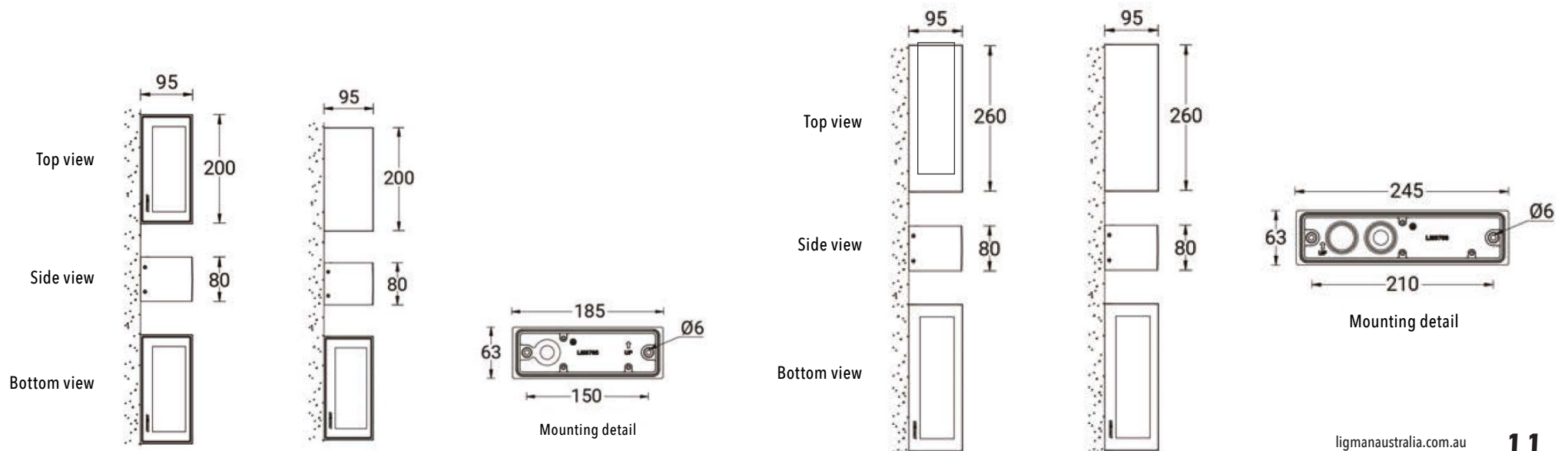


LEEDS SURFACE FACADE LUMINAIRE DOWN ONLY

	Product Code	Light Source	Power	Lumens	Weight	Optics					CCT/CRI	Dimming Type
						T2	T3	T4	LA01	W		
LEEDS 2	LEE-30031-500	4 LED	8 W	576 - 795 lm	0.8 kg	129°x49°	112°x80°	89°x60°	151°x65°	56°	8030 8040	ND
LEEDS 4	LEE-30011-500	8 LED	14 W	1376 - 1675 lm	1.5 kg	139°x55°	123°x85°	105°x69°	151°x65°	56°	8030 8040	ND DA
LEEDS 6	LEE-30021-500	12 LED	20 W	2045 - 2422 lm	1.8kg	137°x58°	124°x86°	108°x66°	151°x65°	56°	8030 8040	ND DA

UP DOWN

	Product Code	Light Source	Power	Lumens	Weight	Optics					CCT/CRI	Dimming Type
						T2	T3	T4	LA01	W		
LEEDS 1	LEE-30031-500	4 & 4 LED	15 W	1152 - 1590 lm	1.1 kg	129°x49°	112°x80°	89°x60°	151°x65°	56°	8030 8040	ND
LEEDS 3	LEE-30041-1050	8 & 8 LED	28 W	2752 - 3350 lm	1.8 kg	129°x49°	112°x80°	89°x60°	151°x65°	56°	8030 8040	ND
LEEDS 5	LEE-30051-1050	12 & 12 LED	39 W	4090 - 4844 lm	2kg	137°x58°	124°x86°	108°x66°	151°x65°	56°	8030 8040	ND



TANGO 29 & 31

SURFACE FACADE LUMINAIRE

IP65

IK08

Circular form direct/indirect wall mounted luminaires offering high performance solutions for both architectural and standards driven illumination. Ligman Australia's MicroVOS™ optical system is available across the range and ensures an endless selection of optical distributions to meet various Australian spacing standards. The Tango surface facade luminaires are highly robust and perfectly suited to the harsh Australian climate.

Construction

- Die-cast aluminium housing and frame
- Pre-treated before powder coating ensuring high corrosion resistance
- Single cable entry
- Stainless steel fasteners in grade 304 with zinc flake coating (ZFC)
- Durable silicone rubber gasket
- Clear toughened glass
- Integral control gear



Stocked Light Distributions



LA01



T4



T3



T2

Stocked Product Colour



01 Black
(RAL9011)

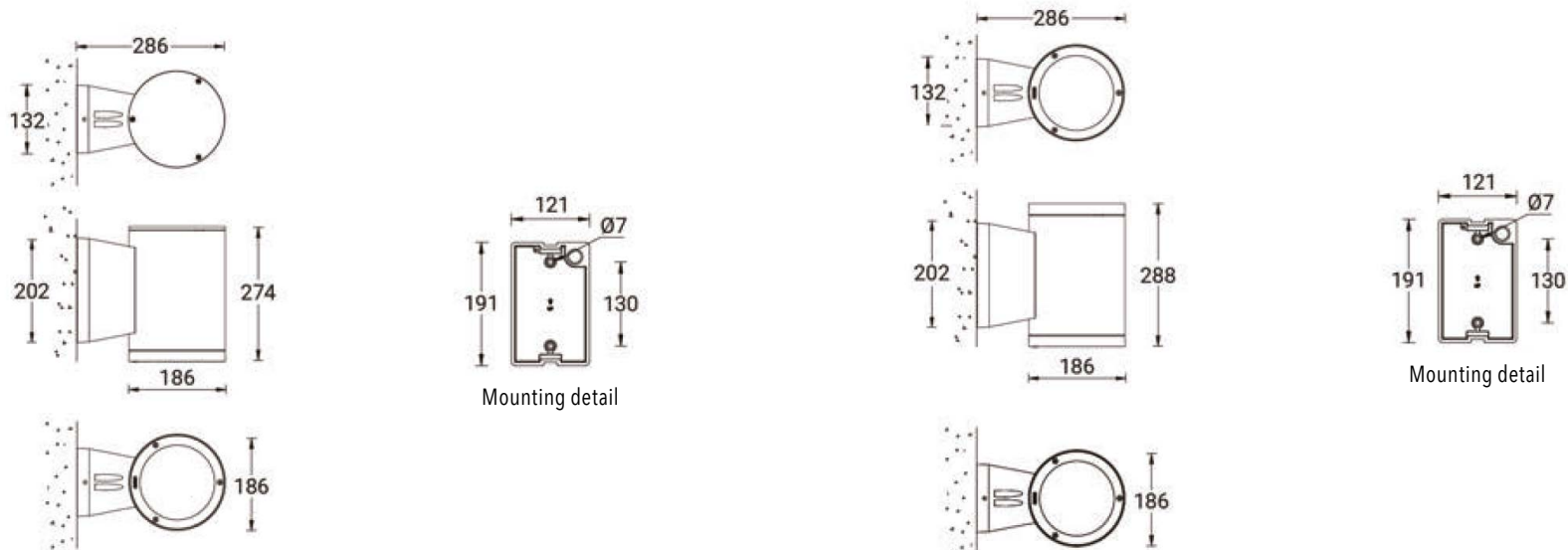
TANGO SURFACE FACADE LUMINAIRE

DOWN ONLY

	Product Code	Light Source	Power	Lumens	Weight	Optics				CCT/CRI	Dimming Type
						T2	T3	T4	LA01		
TANGO29	TA-31861-350	16 LED	18W	1738- 1955lm	6.5 kg	139°x52°	129°x69°	102°x78°	151°x65°	8030 8040	ND DA
	TA-31861-700	16 LED	35W	3476 - 3910lm	6.5 kg	139°x52°	129°x69°	102°x78°	151°x65°	8030 8040	ND DA

UP DOWN

	Product Code	Light Source	Power	Lumens	Weight	Optics				CCT/CRI	Dimming Type
						T2	T3	T4	LA01		
TANGO31	TA-31881-350	16 & 16 LED	35W	3476 - 3910 lm	6.4 kg	139°x52°	129°x69°	102°x78°	151°x65°	8030 8040	ND DA
	TA-31881-700	16 & 16 LED	70W	6952 - 7820 lm	6.4kg	139°x52°	129°x69°	102°x78°	151°x65°	8030 8040	ND DA



JET 41

CEILING MOUNTED LUMINAIRE

IP65

IK08

Circular form surface mounted ceiling luminaire offering high performance. A miniature housing of only 140mm high and 160mm diameter provides the perfect solution to both architectural and design driven applications. The Jet ceiling mounted luminaires are highly robust and perfectly suited to the harsh Australian climate.

Construction

- Die-cast aluminium housing and frame
- Pre-treated before powder coating ensuring high corrosion resistance
- Single cable entry
- Stainless steel fasteners in grade 304 with zinc flake coating (ZFC)
- Durable silicone rubber gasket
- Clear toughened glass
- High-efficiency optical reflector
- Integral control gear

Stocked Light Distributions



W

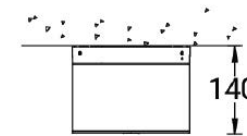
M

Stocked Product Colour

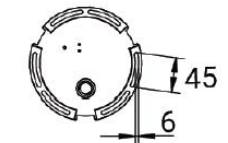
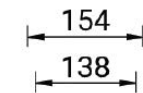


01 Black

(RAL9011)



160



MOUNTING DETAIL

JET CEILING LUMINAIRE

	Product Code	Light Source	Power	Lumens	Weight	Optics		CCT/CRI	Dimming Type
						W	M		
JET 41	JE-80052-250	1 COB	10 W	850 - 1142 lm	1.2 kg	52°	35°	8030 8040	ND DA
	JE-80052-500	1 COB	20W	1700 - 2284 lm	1.2 kg	52°	35°	8030 8040	ND DA

JET 57 BOLLARD

IP65

IK08

The Jet bollard family is an modern and understated solution. Available in the Ligman Australia stocked range, this product family offers sleek shallow head and powerful technical performance. Ligman Australia's MicroVOST™ optical system is available across the range and ensures an endless selection of optical distributions to meet various Australian spacing standards. The Jet bollards are highly robust and perfectly suited to the harsh Australian climate.

Construction

- Die-cast aluminium housing and frame
- Extruded aluminium column
- Pre-treated before powder coating ensuring high corrosion resistance
- Single cable entry
- One IP68 connector supplied with 0.2 m of 3x1.0 sqmm outdoor cable
- Stainless steel fasteners in grade 304 with zinc flake coating (ZFC)
- Durable silicone rubber gasket
- Clear toughened glass
- Integral control gear

Stocked Light Distributions



LA01

T4

T3

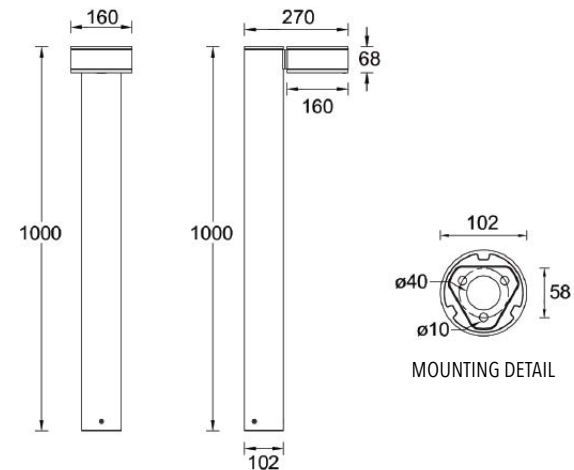
T2

T1

Stocked Product Colour



01 Black
(RAL9011)



JET BOLLARD

	Product Code	Light Source	Power	Lumens	Weight	Optics					CCT/CRI	Dimming Type
						T1	T2	T3	T4	LA01		
JET 57	JE-10572-500	8 LED	14W	1230 - 1523 lm	5.5 kg	145°x68°	131°x44°	124°x61°	94°x68°	151°x65°	8030 8040	ND DA
	JE-10572-700	8LED	19W	1722 - 2135 lm	5.5 kg	145°x68°	131°x44°	124°x61°	94°x68°	151°x65°	8030 8040	ND DA

Maximum pathway spacing in meters

		PATHWAY WIDTH	
LUMINAIRE - 1M MH	AS/NZS 1158.3.1:2020	2.0 M	3.0 M
LIGA-JE-10572-700-LA01-W30	PP4 LIGHT CAT	11	10
UWLR 0%	PP5 LIGHT CAT	13.2	10.7

MAINTENANCE FACTOR - 0.8. OFFSET FROM PATH EDGE - 0.5m. Spacing table to be used as a guide.

Figures are based on parameters set out in AS/NZS 1158.3.1:2020 - Table 3.4.

Footnote D. PP4 2 MTR - 50% of Point horizontal illuminance is achieved over an area of 1.5m on the pole side and 0.5m on far side.

PP4 3 MTR - 50% of Point horizontal illuminance is achieved over an area of 2.2m on the pole side and 0.25m on far side.

PP5 2 MTR - 50% of Point horizontal illuminance is achieved over an area of 0.65m on the pole side and is NOT achieved on far side.

PP5 3 MTR - 50% of Point horizontal illuminance is achieved over an area of 2.3m on the pole side and 0.15m on far side.

PRAGUE 2 BOLLARD

IP65

IK10

The Prague bollard family is a modern and understated solution for bollard illumination. Available in the Ligman Australia stocked range, this product family offers sleek design and powerful technical performance. Ligman Australia's MicroVOST™ optical system is available across the range and ensures an endless selection of optical distributions to meet various Australian spacing standards. The Prague bollards are highly robust and perfectly suited to the harsh Australian climate.

Construction

- Die-cast aluminium housing and frame
- Extruded aluminium column
- Pre-treated before powder coating ensuring high corrosion resistance
- Single cable entry
- One IP68 connector supplied with 0.2 m of 3x1.0 sqmm outdoor cable
- Stainless steel fasteners in grade 304 with zinc flake coating (ZFC)
- Durable silicone rubber gasket
- Clear toughened glass
- Integral control gear

Stocked Light Distributions



LA01

T4

T3

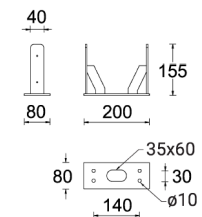
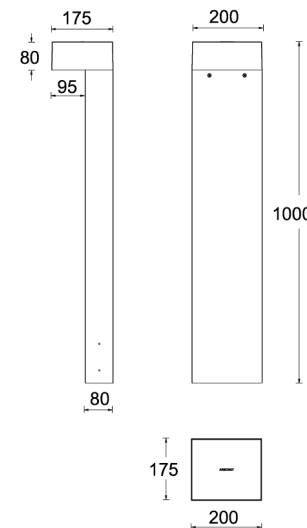
T2

T1

Stocked Product Colour



01 Black
(RAL9011)



PRAGUE BOLLARD

Product Code	Light Source	Power	Lumens	Weight	Optics					CCT/CRI	Dimming Type
					T1	T2	T3	T4	LA01		
PRAGUE 2 PRA-10012-500	8 LED	14 W	1376 - 1675 lm	8.7 kg	145°x68°	131°x43°	131°x43°	94°x68°	151°x65°	8030 8040	ND DA

Maximum pathway spacing in meters

		PATHWAY WIDTH	
LUMINAIRE	AS/NZS 1158.3.1:2020	2.0 M	3.0 M
LIGA-PRA-10012-LA01-W30	PP4 LIGHT CAT	14.5	11.3
	PP5 LIGHT CAT	14.7	11.3

MAINTENANCE FACTOR - 0.8. OFFSET FROM PATH EDGE - 0.5m. Spacing table to be used as a guide.

Figures are based on parameters set out in AS/NZS 1158.3.1:2020 - Table 3.4.

Footnote d)

PP4 2 MTR - 50% of Point horizontal illuminance (0.125 lx) is achieved over an area of 3.1m behind the bollard and 0.9m in front of the bollard.

PP4 3 MTR - 50% of Point horizontal illuminance (0.125 lx) is achieved over an area of 3.1m on the bollard side and not achieved on the far side.

PP5 2 MTR - 50% of Point horizontal illuminance (0.07 lx) is achieved over an area of 3.4m behind the bollard and 1.3m in front of the bollard.

PP5 3 MTR - 50% of Point horizontal illuminance (0.07 lx) is achieved over an area of 3.6m on the bollard side and 0.6m on the far side.

LIGMAN
AUSTRALIA

Powered by **ELS**

39 Tinning Street, Brunswick, Victoria 3056 T: +61 (0)3 9222 5522 E: sales@ligmanaustralia.com.au W: ligmanaustralia.com.au

